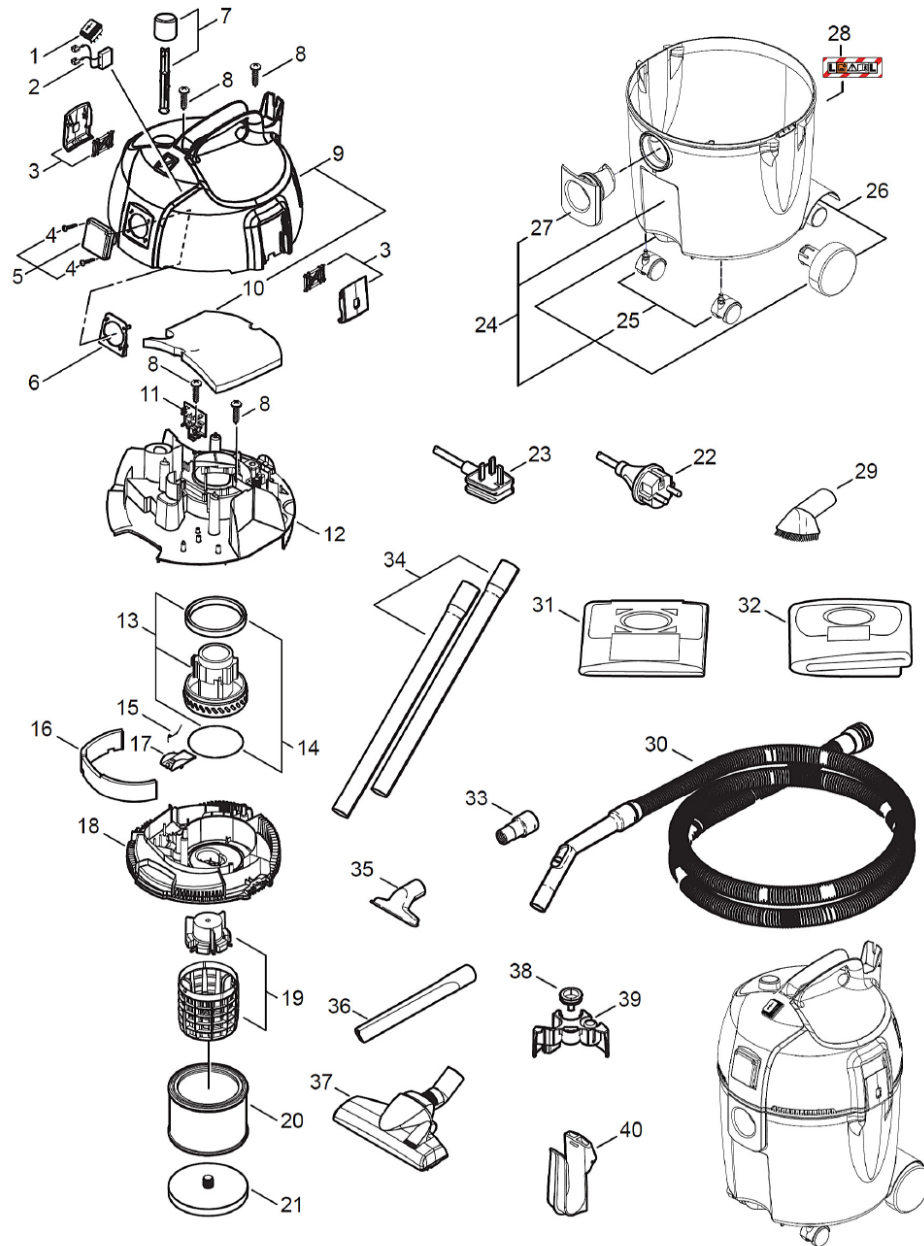


VC 25 L MC

Teile-Nr. 389.021 07/12



| Pos. | FLEX-Nr. |
|-------------|-----------------|
| 1 | 385.735 |
| 2 | 385.743 |
| 3 | 385.751 |
| 4 | 385.778 |
| 5 | 385.786 |
| 5 | 385.794 (BS) |
| 6 | 385.808 |
| 7 | 385.816 |
| 8 | 385.824 |
| 9 | 385.832 |
| 10 | 385.840 |
| 11 | 385.859 |
| 12 | 385.867 |
| 13 | 385.875 |
| 14 | 385.883 |
| 15 | 385.891 |
| 16 | 385.905 |
| 17 | 385.913 |
| 18 | 385.921 |
| 19 | 385.948 |
| 20 | 385.085 |
| 21 | 385.956 |
| 22 | 385.964 |
| 23 | 385.972 (BS) |
| 24 | 385.980 |
| 25 | 385.999 |
| 26 | 386.006 |
| 27 | 386.014 |
| 28 | 386.022 |
| 29 | 385.646 |
| 30 | 385.484 |
| 31 | 385.093 |
| 32 | 385.107 |
| 33 | 385.506 |
| 34 | 385.522 (Alu) |
| 34 optional | 385.514 (Stahl) |
| 35 | 385.549 |
| 36 | 385.530 |
| 37 | 385.565 |
| 38 | 386.030 |
| 39 | 386.049 |
| 40 | 386.057 |