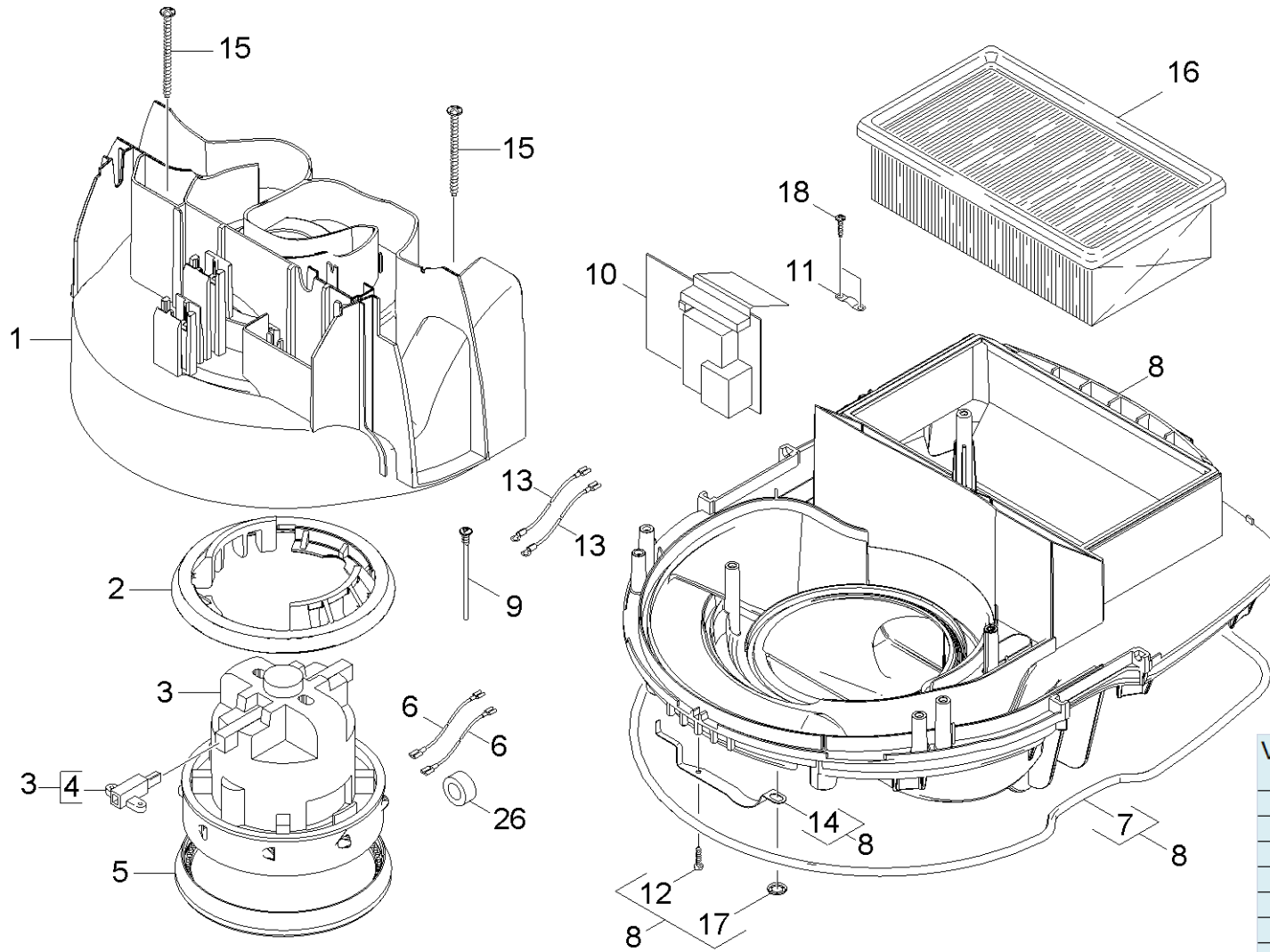
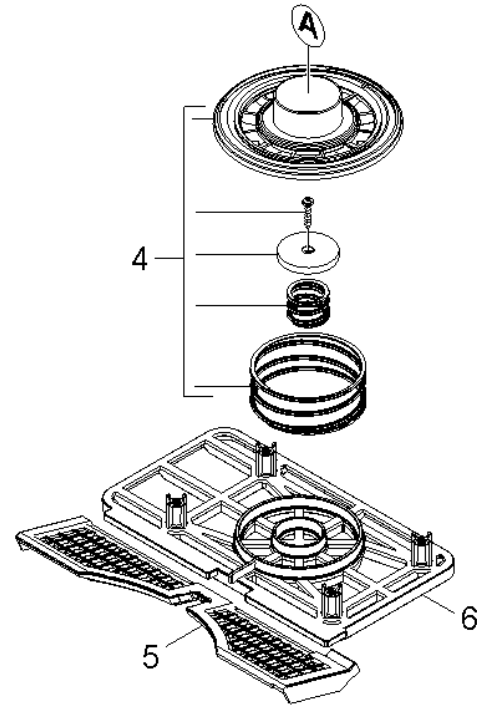
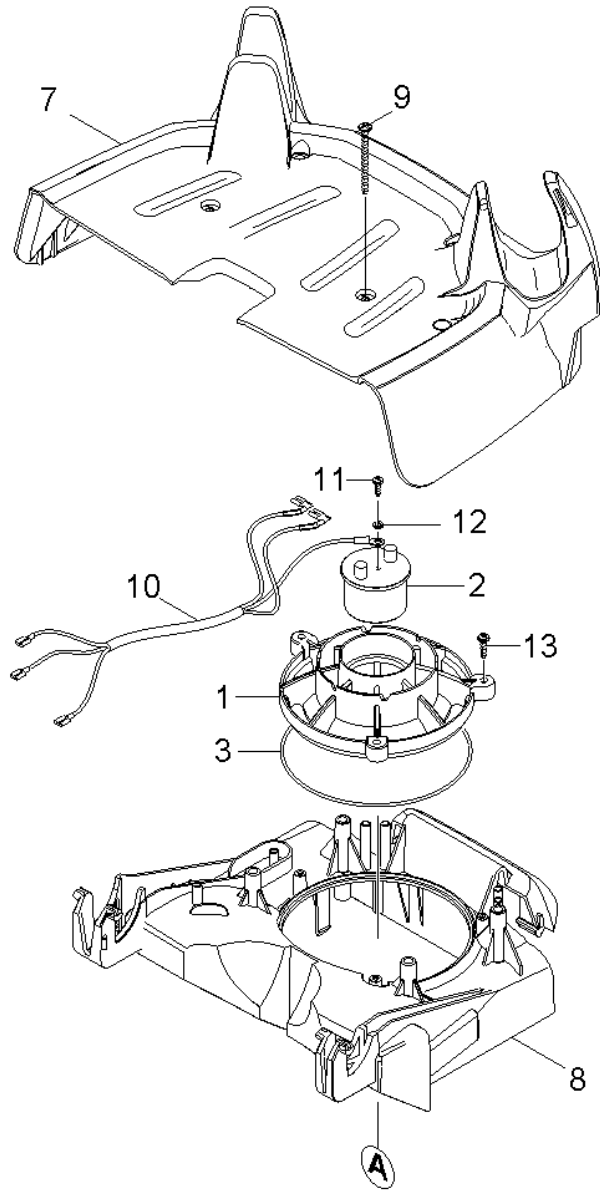


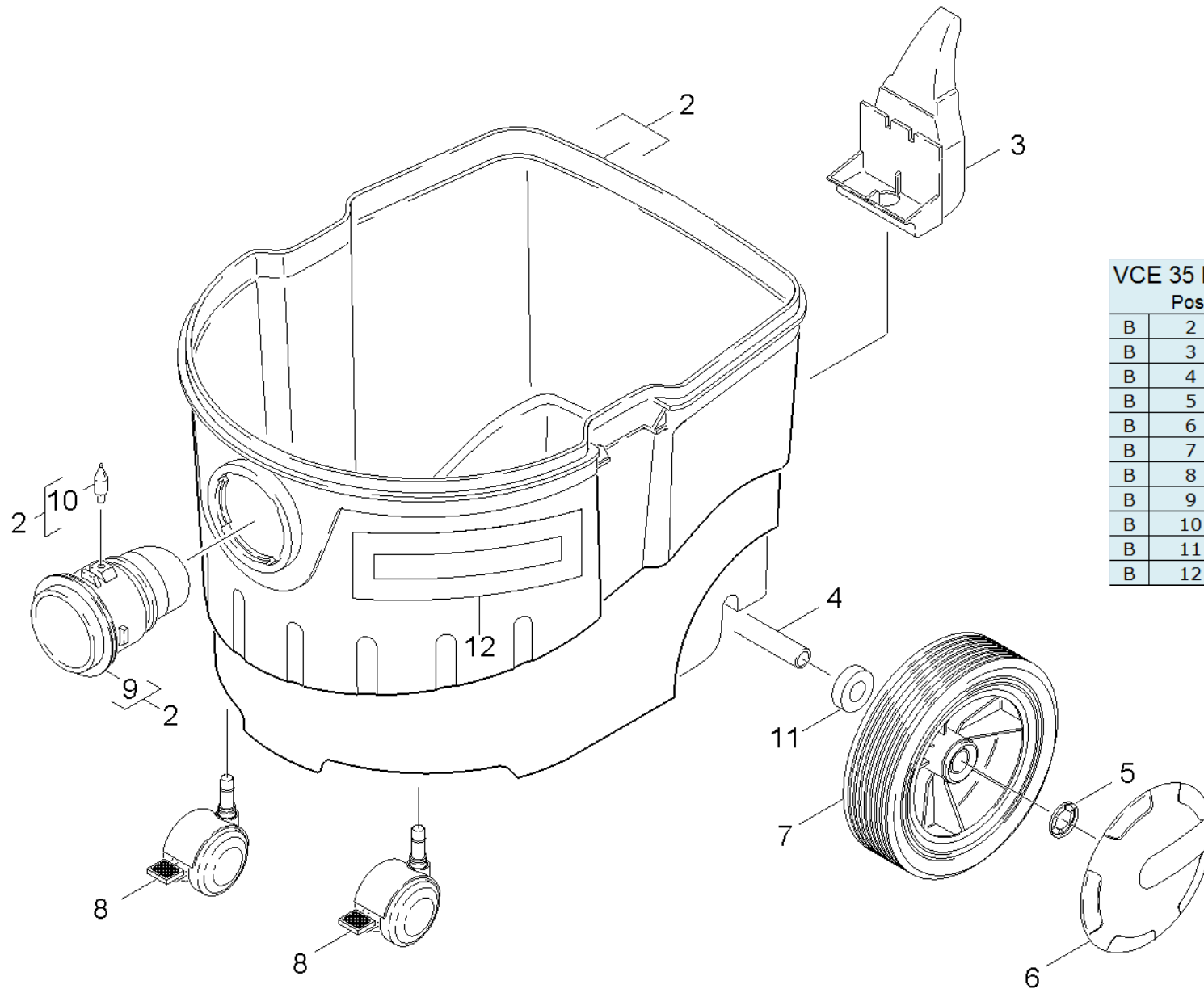
| VCE 35 L AC - 110-BS-4h | | | |
|-------------------------|------|-----------|-----------|
| | Pos. | Teile-Nr. | Stückzahl |
| H | 1 | 376.337 | 1 |
| H | 2 | 337.641 | 1 |
| H | 3 | 337.706 | 5 |
| H | 4 | 341.797 | 1 |
| H | 5 | 340.499 | 2 |
| H | 6 | 341.800 | 1 |
| H | 9 | 405.159 | 1 |
| H | 10 | 340.456 | 1 |
| H | 11 | 405.108 | 1 |
| H | 12 | 405.140 | 1 |
| H | 13 | 340.596 | 1 |
| H | 14 | 340.618 | 1 |
| H | 15 | 337.668 | 2 |
| H | 16 | 405.167 | 1 |
| H | 17 | 297.542 | 1 |
| H | 18 | 405.183 | 7 |
| H | 19 | 340.359 | 1 |
| H | 20 | 405.124 | 1 |



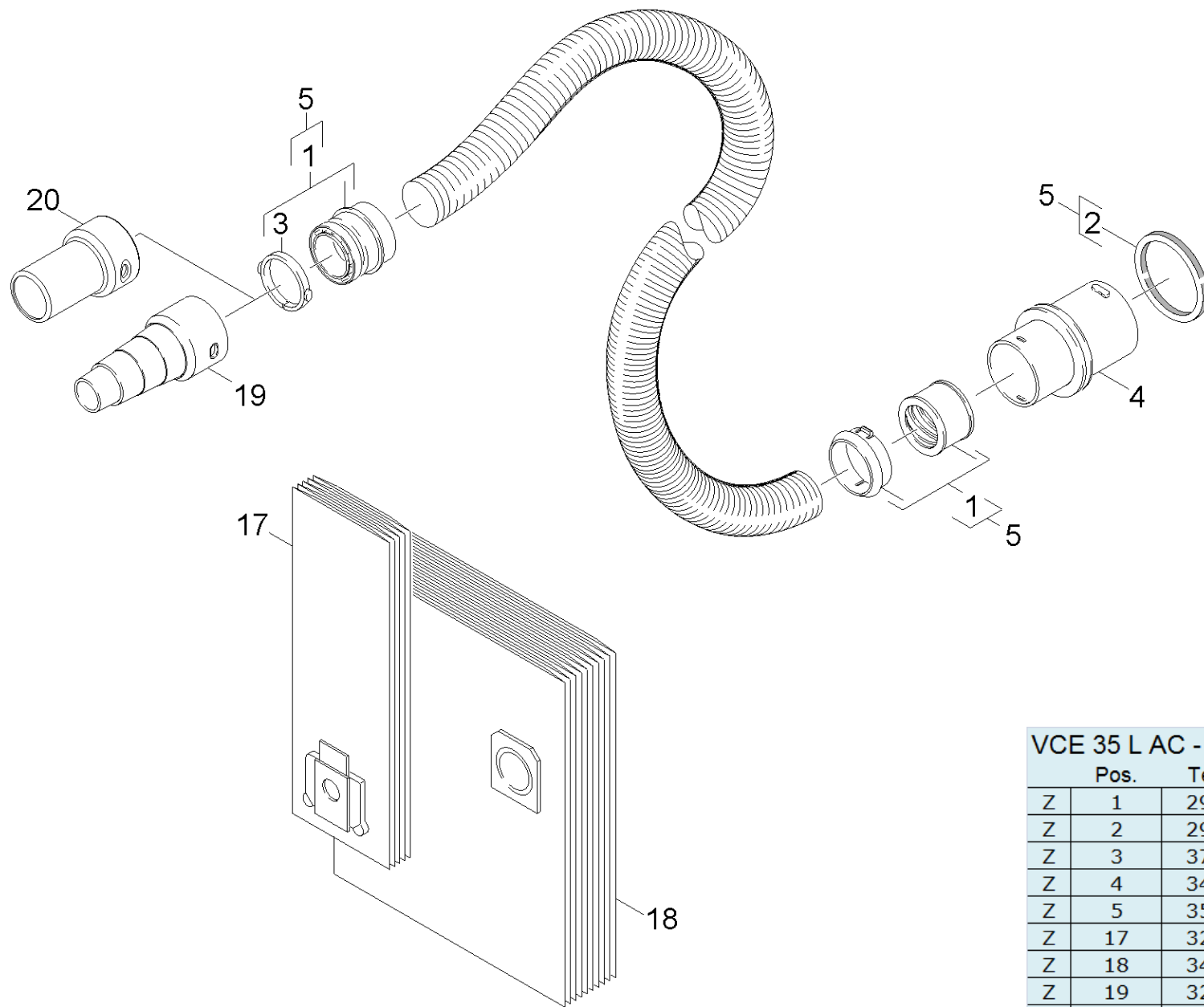
| VCE 35 L AC - 110-BS-4h | | | |
|-------------------------|------|-----------|-----------|
| | Pos. | Teile-Nr. | Stückzahl |
| T | 1 | 340.332 | 1 |
| T | 2 | 340.510 | 1 |
| T | 3 | 377.023 | 1 |
| T | 4 | 377.031 | 1 |
| T | 5 | 340.553 | 1 |
| T | 6 | 377.058 | 2 |
| T | 7 | 297.860 | 1 |
| T | 8 | 340.308 | 1 |
| T | 9 | 340.421 | 2 |
| T | 10 | 405.116 | 1 |
| T | 11 | 340.677 | 1 |
| T | 12 | 297.550 | 1 |
| T | 13 | 340.642 | 2 |
| T | 14 | 375.012 | 1 |
| T | 15 | 337.706 | 2 |
| T | 16 | 337.692 | 1 |
| T | 17 | 340.537 | 1 |
| T | 18 | 305.898 | 2 |
| T | 26 | 374.490 | 1 |



| VCE 35 L AC - 110-BS-4h | | | |
|-------------------------|------|-----------|-----------|
| | Pos. | Teile-Nr. | Stückzahl |
| F | 1 | 340.383 | 1 |
| F | 2 | 377.082 | 1 |
| F | 3 | 340.545 | 1 |
| F | 4 | 340.294 | 1 |
| F | 5 | 340.502 | 1 |
| F | 6 | 340.375 | 1 |
| F | 7 | 340.391 | 1 |
| F | 8 | 340.405 | 1 |
| F | 9 | 340.650 | 4 |
| F | 10 | 405.175 | 1 |
| F | 11 | 325.937 | 1 |
| F | 12 | 255.788 | 1 |
| F | 13 | 195.715 | 3 |



| VCE 35 L AC - 110-BS-4h | | | |
|-------------------------|------|-----------|-----------|
| | Pos. | Teile-Nr. | Stückzahl |
| B | 2 | 298.131 | 1 |
| B | 3 | 298.158 | 1 |
| B | 4 | 340.413 | 1 |
| B | 5 | 298.174 | 2 |
| B | 6 | 394.041 | 2 |
| B | 7 | 298.190 | 2 |
| B | 8 | 298.204 | 1 |
| B | 9 | 298.212 | 1 |
| B | 10 | 298.298 | 1 |
| B | 11 | 340.448 | 2 |
| B | 12 | 375.039 | 1 |



| VCE 35 L AC - 110-BS-4h | | | |
|-------------------------|------|-----------|-----------|
| | Pos. | Teile-Nr. | Stückzahl |
| Z | 1 | 296.988 | 1 |
| Z | 2 | 298.239 | 1 |
| Z | 3 | 379.654 | 1 |
| Z | 4 | 340.529 | 1 |
| Z | 5 | 354.945 | 1 |
| Z | 17 | 329.630 | 1 |
| Z | 18 | 340.766 | 1 |
| Z | 19 | 320.188 | 1 |
| Z | 20 | 391.603 | 1 |