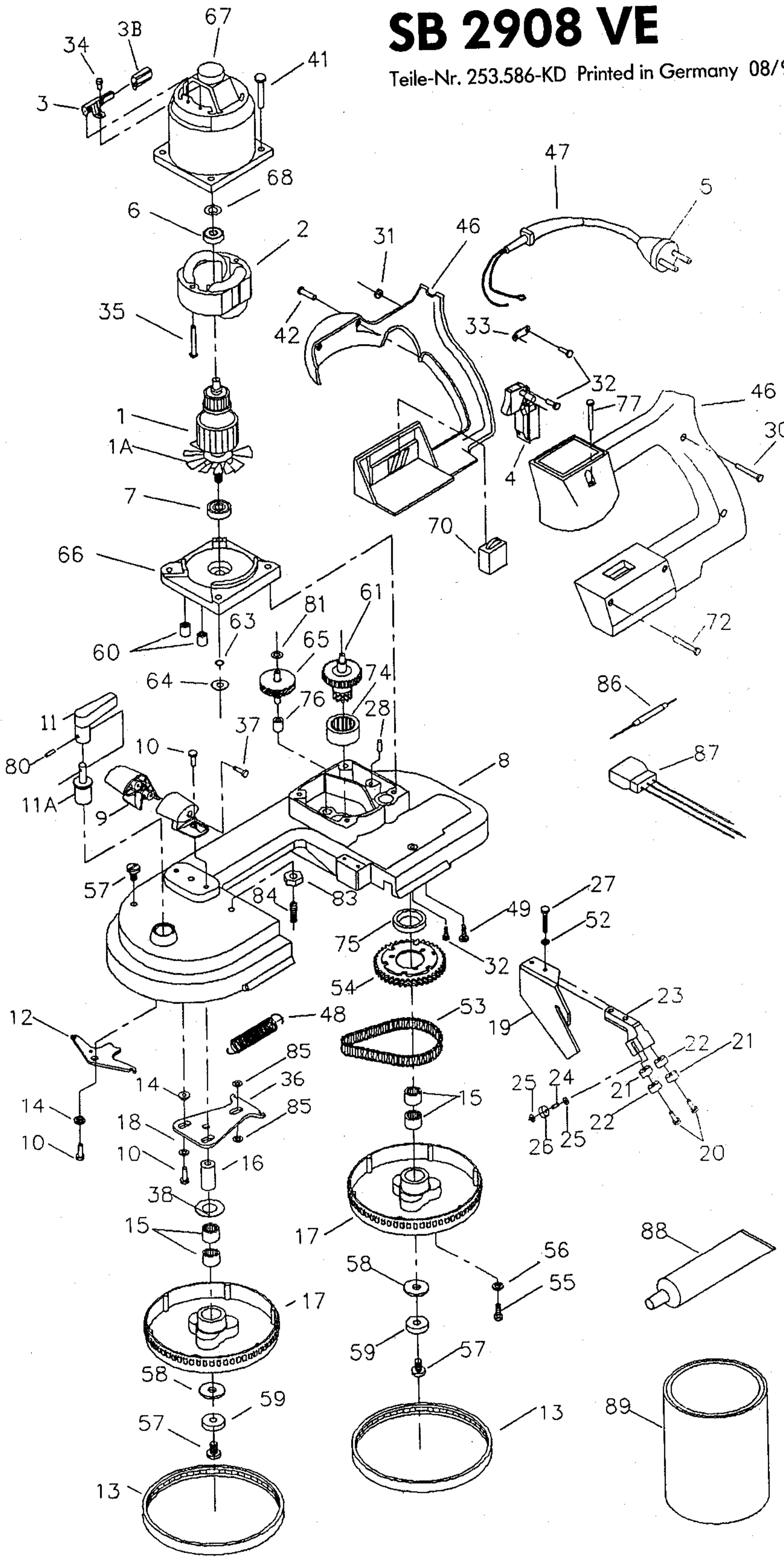


SB 2908 VE

Teile-Nr. 253.586-KD Printed in Germany 08/98



Pos.	Teile-Nr.	Menge
1	231.185	1
1A	231.932	1
2	253.575	1
3	874.289	2
3B	865.323	2
4	253.576	1
5	149.144	1
6	231.266	1
7	231.274	1
8	253.577	1
9	231.290	1
10	231.304	6
11	231.312	1
11A	232.017	1
12	232.025	1
13	231.320	2
14	231.339	4
15	231.347	4
16	231.355	2
17	231.363	2
18	231.371	3
19	231.398	1
20	231.401	4
21	231.428	4
22	231.436	4
23	253.578 (für größere Schnitttiefe)	2
	231.444 (Grundausstattung)	2
	253.579 (Pos. 20/21/22/24/25/26/27/52)	2
24	231.460	2
25	231.479	4
26	231.487	2
27	231.495	4
28	231.509	1
30	231.517	2
31	231.525	2
32	231.533	3
33	231.541	1
34	231.568 (bis 06/97)	4
34	885.952 (ab 07/97)	4
35	231.576 (bis 06/97)	2
35	884.665 (ab 07/97)	2
36	231.584	1
37	231.592	1
38	231.606	2
41	231.614	4
42	231.622	2
45	231.630 (Pos. 30/31/32/42/49/72/77)	1
46	253.585 (Pos. 30/31/32/42/49/72/70/77)	1
47	253.580	1
48	253.581	2
49	231.665	2
52	253.589	4
53	231.681	1
54	231.703	1
55	231.711	3
56	231.738	3
57	231.746	2
58	231.754	2
59	231.762	2
60	231.770	2
61	231.789	1
63	231.797	1
64	231.800	1
65	231.819	1
66	231.827 (Pos. 60)	1
67	231.835 (bis 06/97)	1
67	885.829 (ab 07/97)	1
68	231.843	1
70	253.582	1
72	253.583	2
74	231.886	1
75	231.894	1
76	231.908	1
77	231.916 (bis 06/97)	1
77	885.951 (ab 07/97)	1
80	231.924	1
81	253.584	1
82	231.932	1
83	801.372	1
84	879.802	1
85	802.203	2
86	875.113	4
87	873.187	1
88	878.499	1
89	879.751	1

Schaltplan

