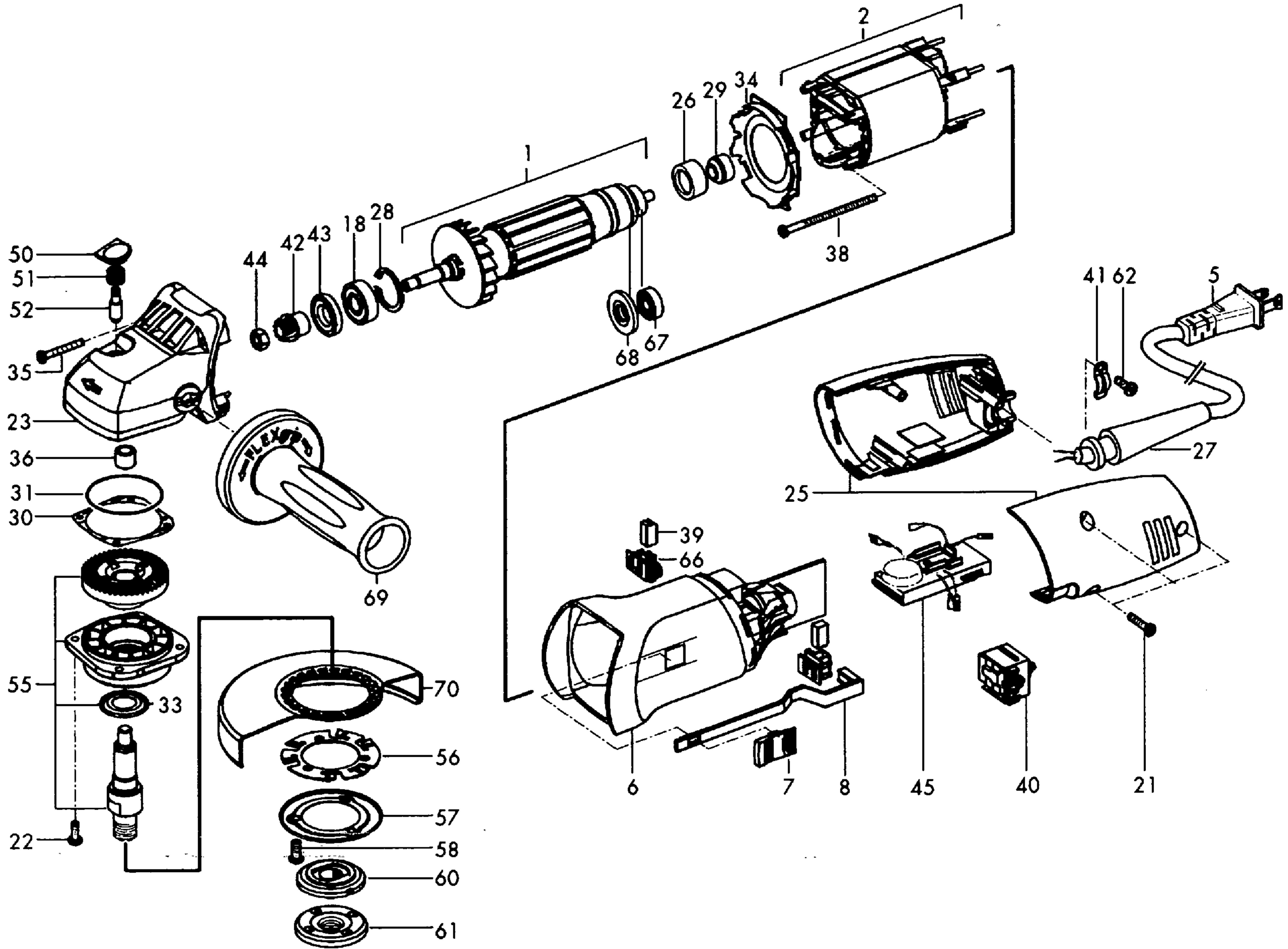


FLEX GRINDER

WARNING: Electrical repairs should only be attempted by trained repairmen. Contact the nearest FLEX- Porter-Cable Service Center or other competent repair center.

**L 3410 VR
120/USA**



Ref. No.	Part No.	Description
1	301779	Armature
2	307017	Field
5	867853	Cord
6	292869	Motor Housing
7	292842	Switch Button
8	291749	Control Rod
18	254442	Bearing
21	206245	Screw
22	257782	Screw
23	289604	Gear Housing
25	296317	Housing Set
26	291722	Bearing Mount
27	293113	Strain Relief
28	111384	Snap Ring
29	219983	Magnetic Ring
30	257602	Washer
31	159204	Seal
33	121665	Seal
34	293210	Baffle
35	195693	Screw
36	159271	Bearing
38	255954	Screw
39	294918	Brush
40	303151	Switch
41	304921	Cord Clamp
42	259190	Pinion
43	256157	Seal
44	257621	M7 Nut
45	292982	Elektronic
50	292710	Lock Button
51	296015	Spring

Ref. No.	Part No.	Description
52	294152	Spindle Lock pin
55	300586	Gear Assy
56	303755	plate
57	294462	base plate
58	295795	Srew
60	132322	Inner Flange
61	132330	Clamping Nut
62	195715	Screw
66	291684	Brush Holder
67	254443	Bearing
68	291714	Seal Ring
69	292354	Handle
70	294438	Guard
58	295795	Srew
60	132322	Inner Flange

** 255691 Grease

** NOT SHOWN