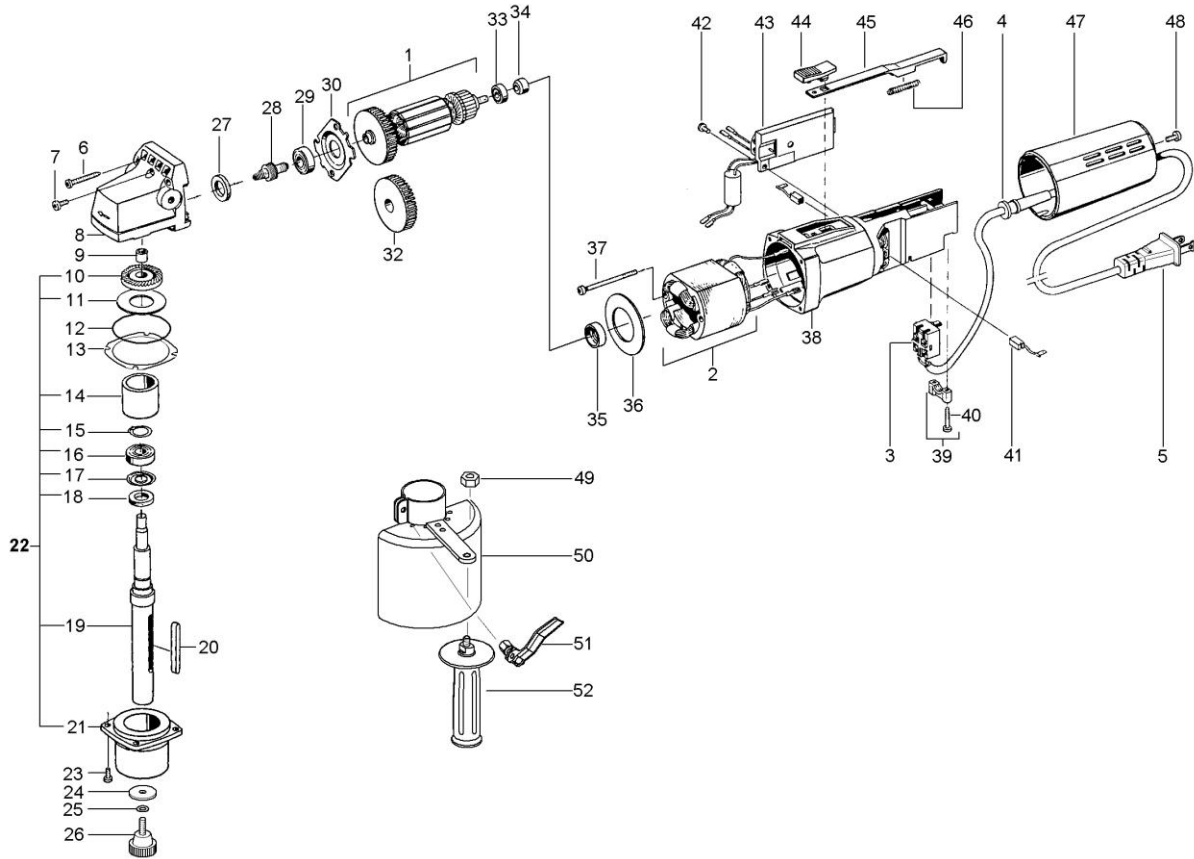


FLEX

WARNING: Electrical repairs should only be attempted by trained repairmen. Contact the nearest Authorized Service Station.

LP1503VR 120/USA

ELECTR.FINISHING MACHINE



Ref. No.	Part No.	Description
1	241342	Armature
2	293059	Field
3	251331	Switch
4	215848	Cable Clamp
5	218235	Cord
6	195693	Screw
7	258573	Screw
8	271365	Gear Housing
9	159271	Bearing
10	395552	Crown Wheel
11	159212	Spring Washer
12	159204	O-Ring
13	257571	Distanz Washer
14	244570	Bushing
15	101591	Ring
16	106623	Bearing
17	110612	Sealing Ring
18	233579	Ring
19	244554	Gear Shaft
20	251264	Key
21	244562	Bearing Cover
22	244457	Gear Shaft Assembl.
23	190330	Screw
24	256084	Washer
25	244481	Spring Washer
26	254413	Knurled Screw
27	256157	Bushing
28	395560	Pinion
29	254442	Bearing
30	154997	Bearing Cover

Ref. No.	Part No.	Description
32	177644	Fan
33	254443	Bearing
34	219983	Magnetic Ring
35	209139	Bearing Ring
36	159247	Air Guide
37	225347	Screw
38	254379	Motor Housing
39	215074	Cable Clamp
40	213373	Screw
41	250816	Brush
42	195715	Screw
43	250918	Elektronic
44	211451	Control Lever
45	225304	Control Rods
46	195820	Spring
47	336963	Cover
48	195715	Screw
49	251472	Nut
50	271918	Guard
51	257291	Lever
52	198633	Handle

** 255691 Grease
** 250522 Distant Rings

** NOT SHOWN