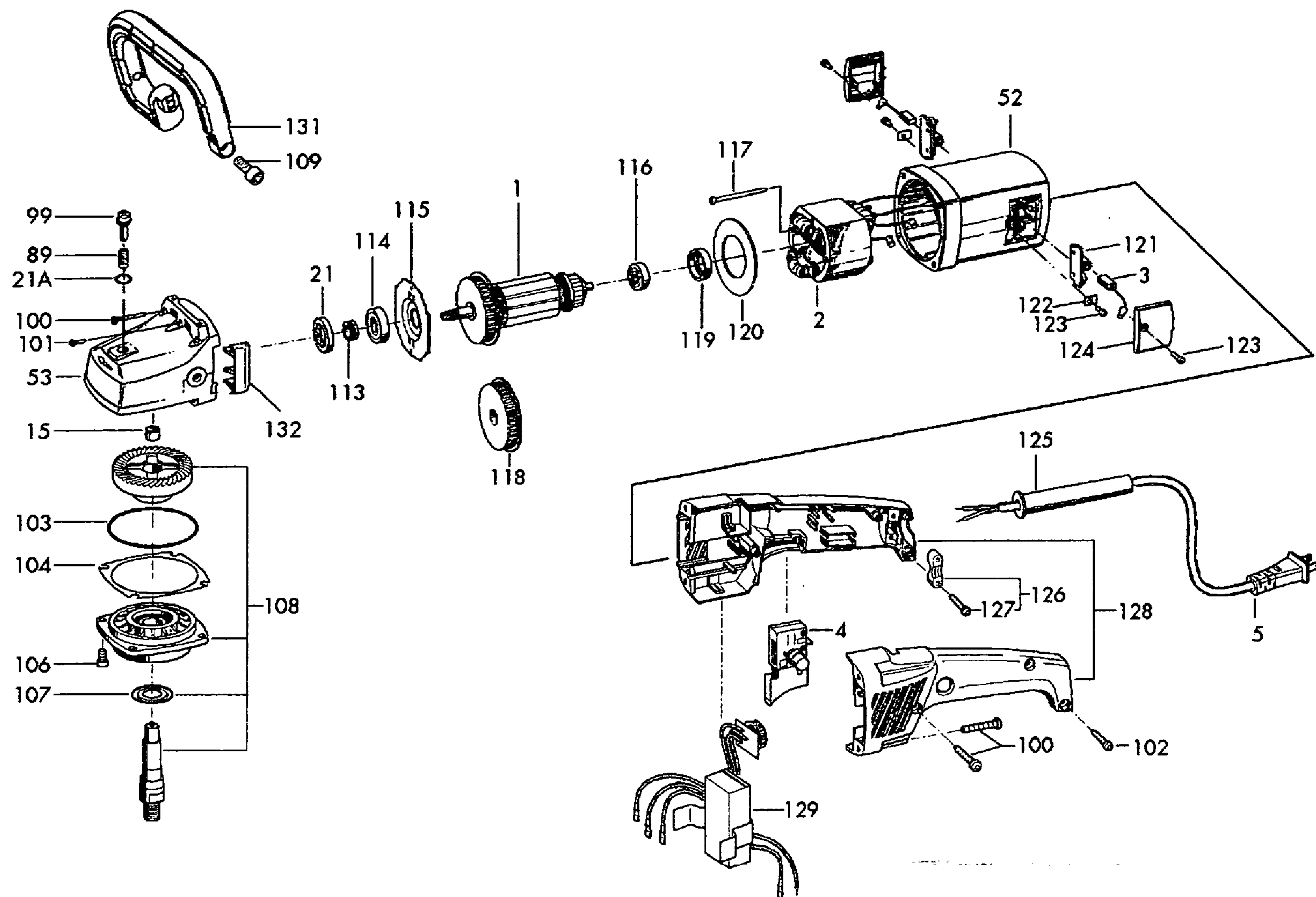


# FLEX POLISHER

**WARNING:** Electrical repairs should only be attempted by trained repairmen. Contact the nearest Authorized Service Station.

**LK 603 VVB**  
120/USA



Ref. No.	Part No.	Description
1	276774	Armature
2	282197	Field
3	280283	Brush
4	259009	Switch
5	214655	Cord
15	199141	Bearing
21	256157	Seal
21A	250266	Seal
52	254440	Motor Hsg.
53	259666	Gear Housing
89	250589	Spring
99	267473	Bolt
100	205990	Screw
101	258573	Screw
102	206245	Screw
103	176559	Sealing Ring
104	176532	Shim Plate
106	271233	Screw
107	257591	Sealing Ring
108	269395	Lower Gear Hsg.Assy. not included Pos. 103,104,106
109	251614	Socket Head Screw,Current Units
113	279064	Threaded Bushing
114	254442	Bearing
115	253460	Bearing Cover
116	254443	Bearing

Ref. No.	Part No.	Description
117	196169	Screw
118	207144	Fan
119	257354	Bearing Mount
120	176648	Baffle
121	205931	Brush Holder
122	194816	Retaining Clip
123	195715	Screw
124	205834	Brush Cover
125	103519	Strain Relief
126	215074	Cord Clamp
127	213373	Screw
128	276863	Handle Set
129	272833	Speed Control
131	287644	Aux.Handle-Bailing Style-Current Units
132	215724	Air Guide,Current Units Only
*	255691	Grease
*	104167	Hex Spanner
*		Not Shown