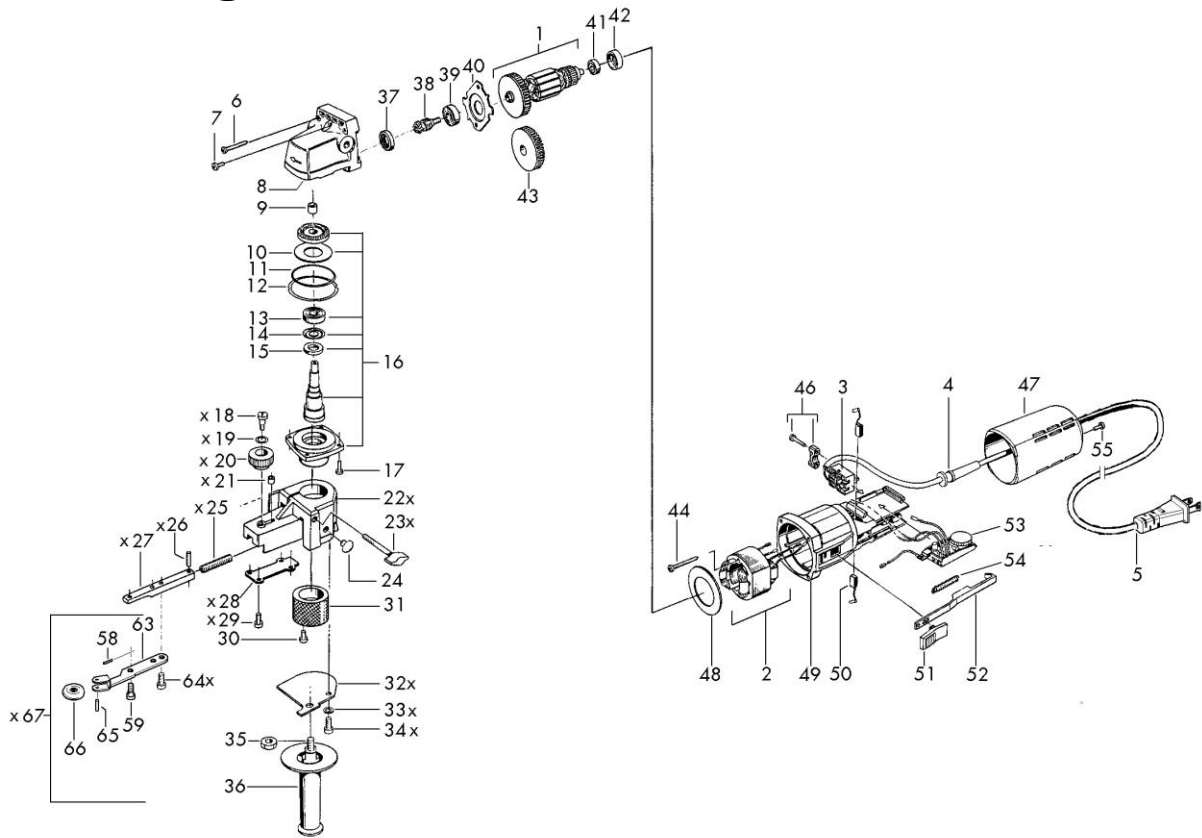


FLEX

Belt filing machine

WARNING: Electrical repairs should only be attempted by trained repairmen. Contact the nearest Authorized Service Station.

LBS 1105 VE
120/USA



x 69 Filing Arm kompl.

Ref.

No.	Part No.	Description
1	166561	Armature
2	293075	Field
3	195 782	Switch
4	197041	Strain Relief
5	218235	Cord
6	195693	Screw
7	258573	Screw
8	271365	Gear Housing
9	159271	Bearing
10	159212	Spring Washer
11	159204	Seal
12	257571	Washer
13	214884	Bearing
14	100277	Seal
15	160512	Washer
16	254876	Gear Assy
17	190330	Screw
18	254883	Screw
19	254884	Crinkled Spring Washer
20	254885	Expansion Wheel
21	260051	Bushing
22	258322	Housing
23	254900	T-Screw
24	255982	Cap
25	254881	Compression Spring
26	254898	Pin
27	254886	Square Guide
28	254890	Cover Guide Square
29	254891	Screw
30	254891	Screw
31	254887	Driving roll
32	258324	Housing Cover
33	244481	Spring Washer
34	254888	Screw

Ref.

No.	Part No.	Description
35	255334	Hex Nut
36	194034	Handle
37	256157	Seal
38	166499	Pinion
39	254442	Bearing
40	154997	Bearing Cover
41	254443	Bearing
42	209139	Magnetic Ring
44	196169	Screw
46	215074	Cord Clamp
47	255410	Cover
48	159247	Baffle
49	203068	Motor Housing
50	285994	Brush
51	200506	Button, Switch
52	195812	Control Rod
53	216844	Electronic
54	195820	Spring
55	195715	Screw
58	412015	Pin
59	254892	Screw
63	256526	Grinding Arm
64	254888	Screw
65	256527	Pin
66	256528	Press. Roller
67	256525	Filing Arm
69	254.894	Filing Arm kompl.

**

255691 Grease

** NOT SHOWN