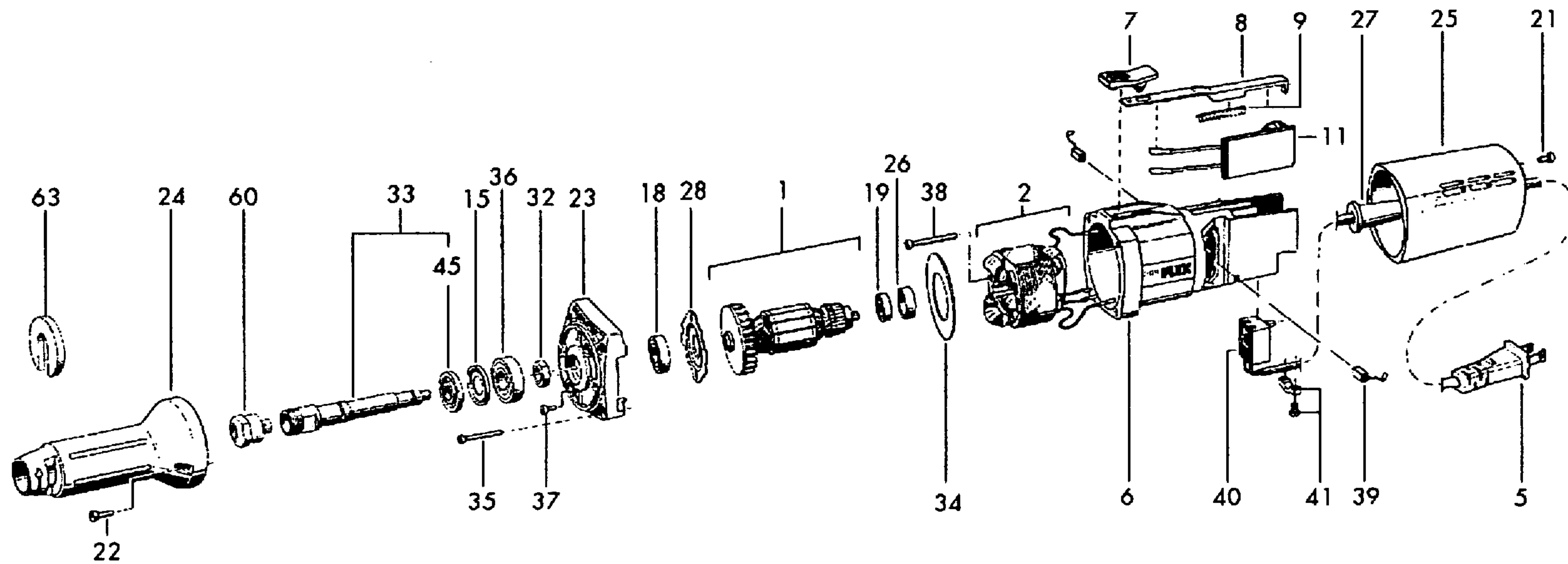


# FLEX

## High rpm die grinder

**WARNING:** Electrical repairs should only be attempted by trained repairmen. Contact the nearest FLEX- Porter-Cable Service Center or other competent repair center.

**H 1127 VE**  
120/USA



Ref. No.	Part No.	Description	Ref. No.	Part No.	Description
1	166561	Armature	32	235296	Nut
2	293075	Field	33	234001	Gear
5	218235	Cord	34	159247	Baffle
6	203068	Motor Housing	35	203858	Screw
7	211451	Button, Switch	36	101583	Bearing
8	195812	Control Rod	37	164283	Screw
9	195820	Spring	38	196169	Screw
11	216844	Electronic	39	285994	Brush
15	121665	Sealing Ring	40	290556	Switch
18	254442	Bearing	41	215074	Cord Clamp
19	254443	Bearing	45	121673	Sealing Ring
21	195715	Screw	60	228656	Collet With Nut
22	190330	Screw	**	255691	Grease
23	157708	Bearing Cap			
24	101532	Front Case			
25	213780	Cover			
26	257354	Bearing	**	104914	Fork Spanner
27	215848	Strain Relief	**	254917	Holding Spanner
28	154997	Bearing Cap			
			**		NOT SHOWN