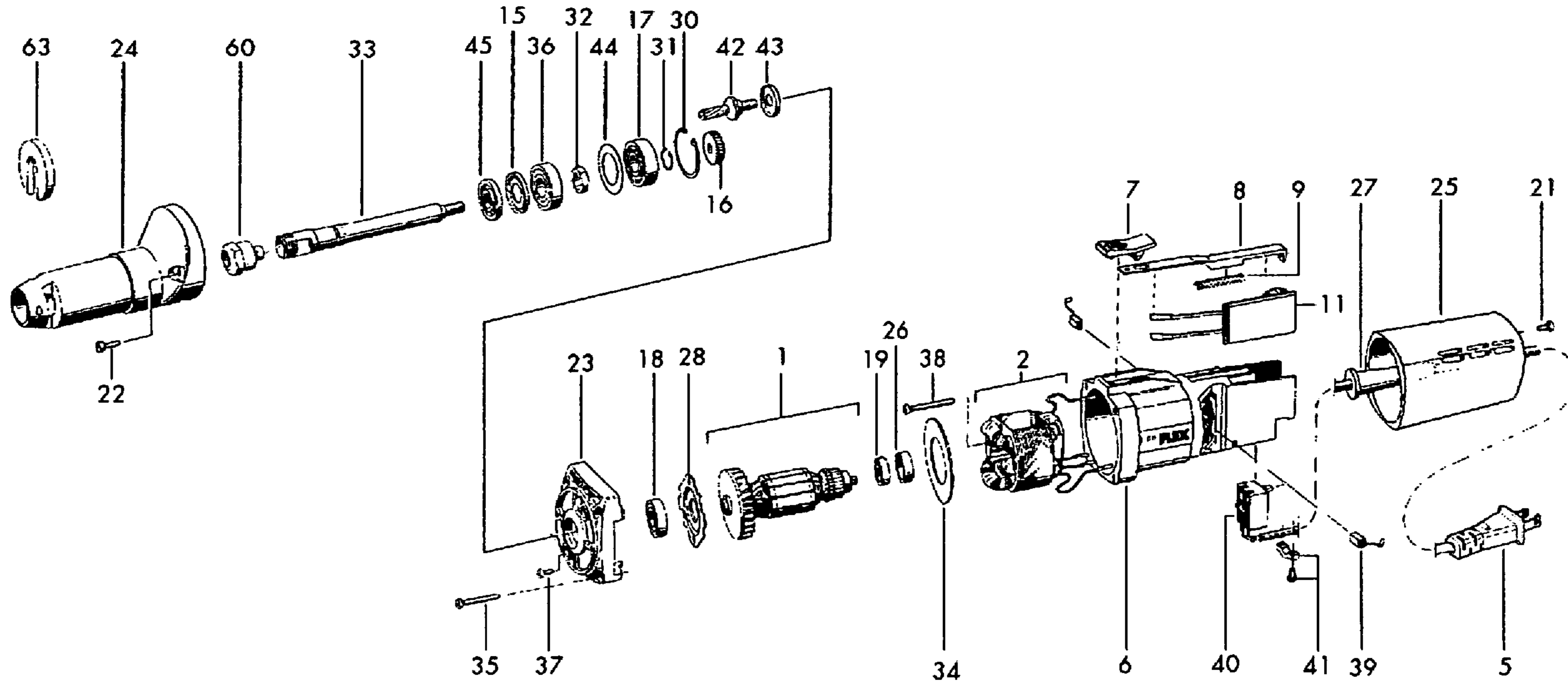


FLEX

Low rpm die grinder

WARNING: Electrical repairs should only be attempted by trained repairmen. Contact the nearest FLEX- Porter-Cable Service Center or other competent repair center.

H 1105 VE
120/USA



Ref. No.	Part No.	Description
1	305677	Armature
2	305685	Field
5	218235	Cord
6	203068	Motor Housing
7	211451	Button, Switch
8	195812	Control Rod
9	195820	Spring
11	216844	Electronic
15	121665	Sealing Ring
16	256704	Gear Wheel
17	192112	Bearing
18	254442	Bearing
19	254443	Bearing
21	195715	Screw
22	192082	Screw
23	157708	Bearing Cap
24	192074	Front Case
25	213780	Cover
26	257354	Bearing
27	215848	Strain Relief
28	154997	Bearing Cap
30	105546	Locking Ring
31	111406	Locking Ring

Ref. No.	Part No.	Description
32	235296	Nut
33	239828	Gear
34	159247	Baffle
35	203858	Screw
36	101583	Bearing
37	164283	Screw
38	196169	Screw
39	285994	Brush
40	290556	Switch
41	215074	Cord Clamp
42	256705	Pinion
43	100471	Sealing Ring
44	192120	Washer
45	121673	Sealing Ring
60	228656	Collet With Nut
**	255691	Grease
**	252164	Grip Cap
**	258573	Screw
ACCESSORIES:		
**	104914	Fork Spanner
**	254917	Holding Spanner

** NOT SHOWN