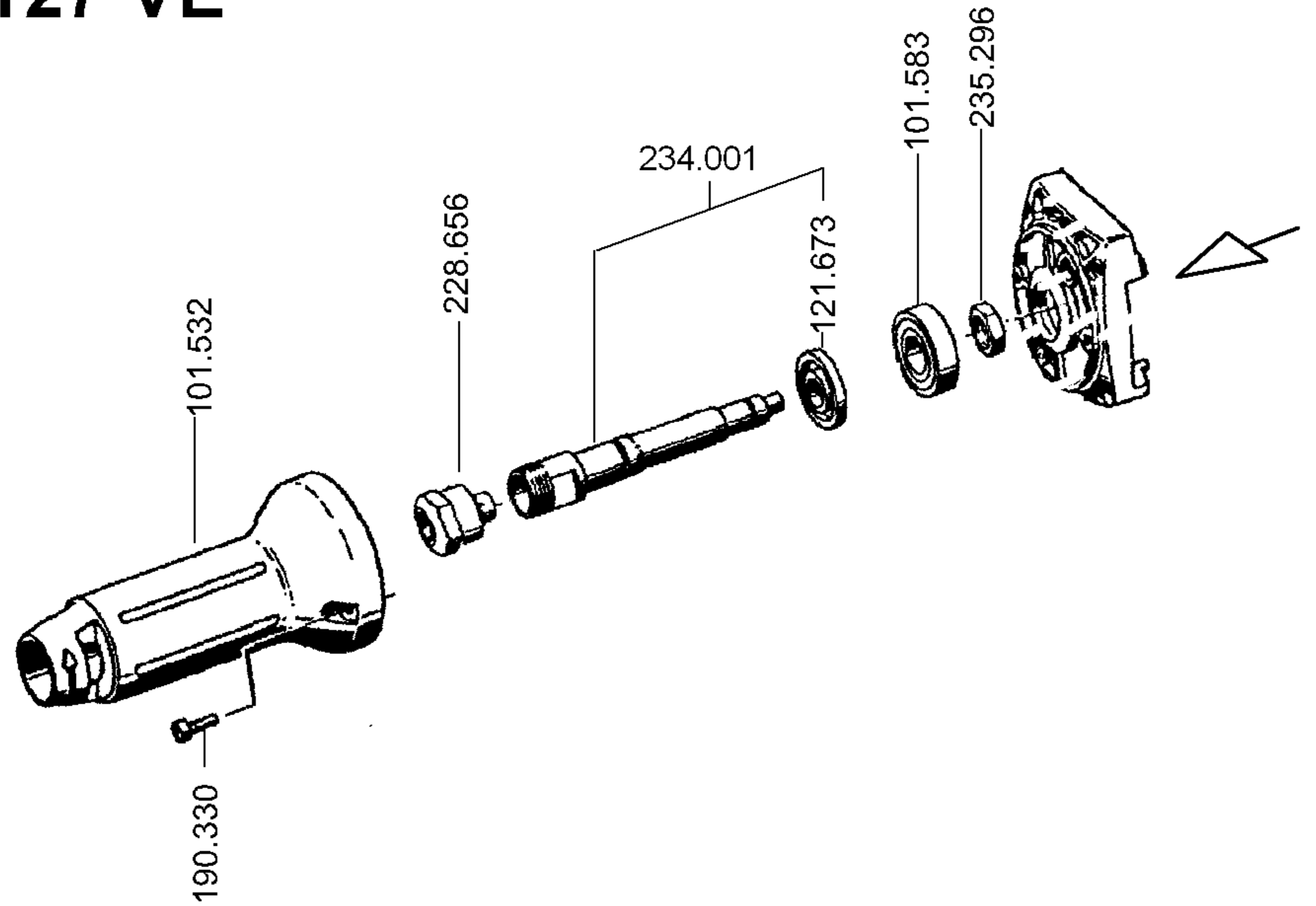


H 1127 VE

H 1105 VE

Teile-Nr. 269.980 Printed in Germany 02/09

H 1127 VE



H 1105 VE

